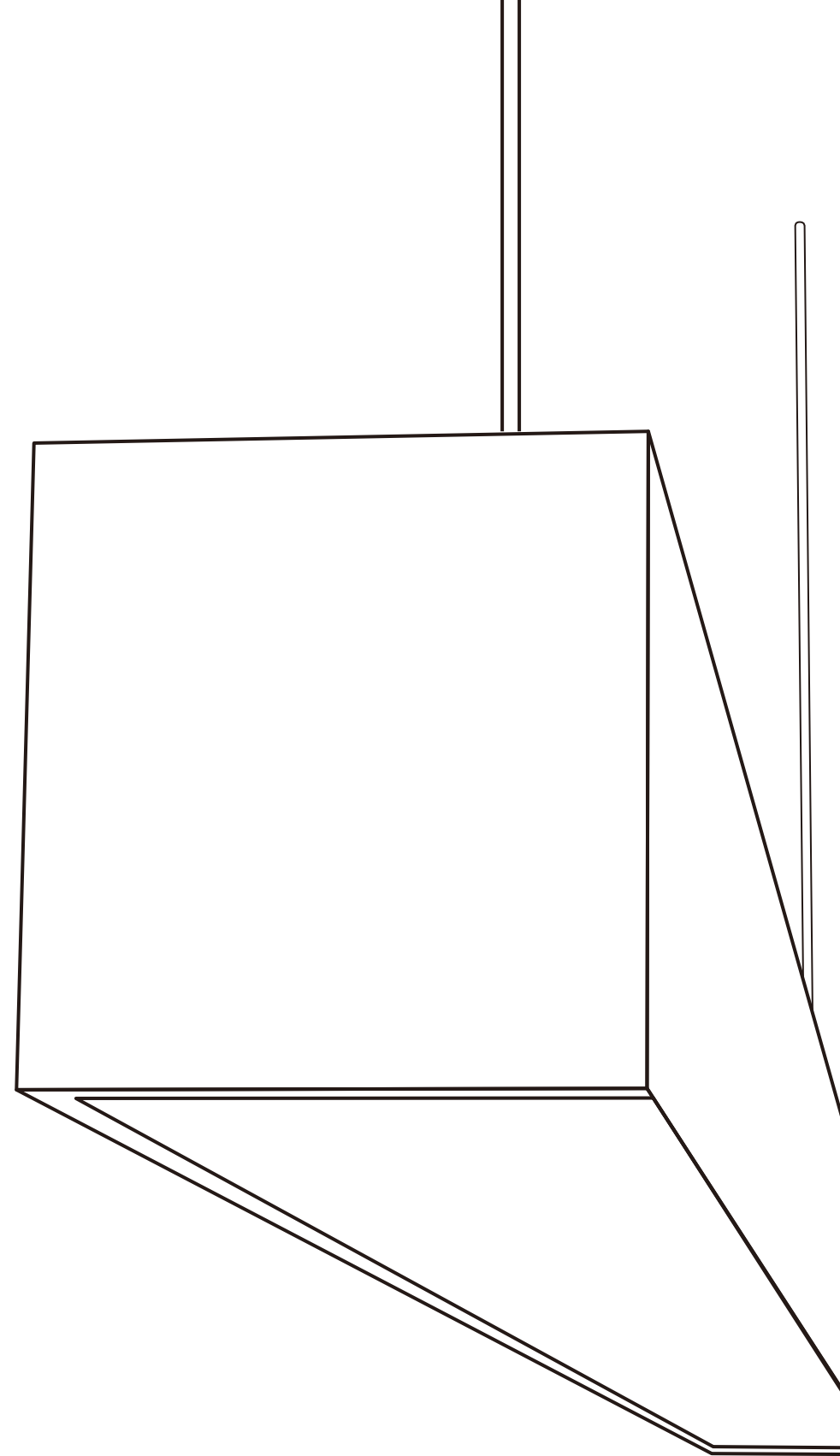


LINEAR  
LUMINAIRE  
CATALOG

FINA  
TEHNO  
LED

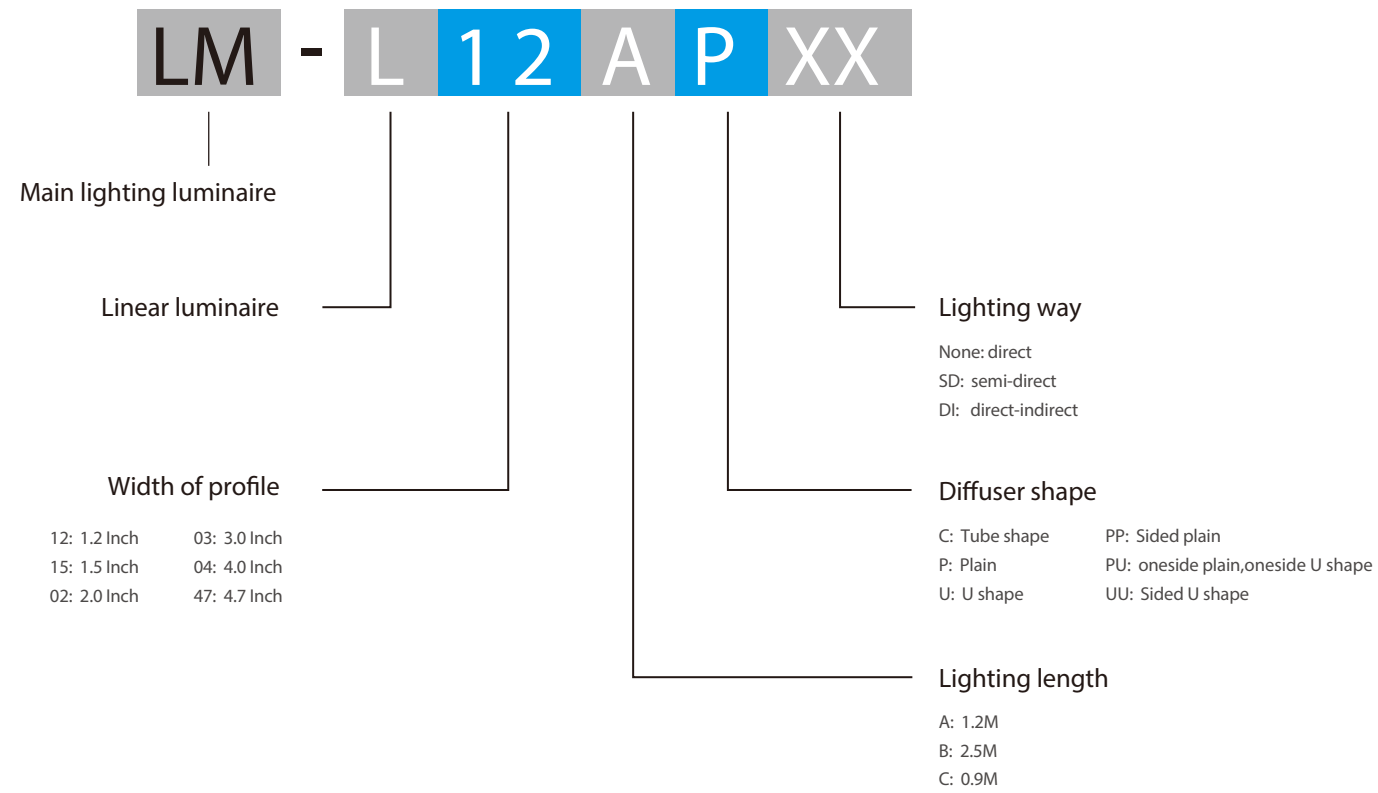




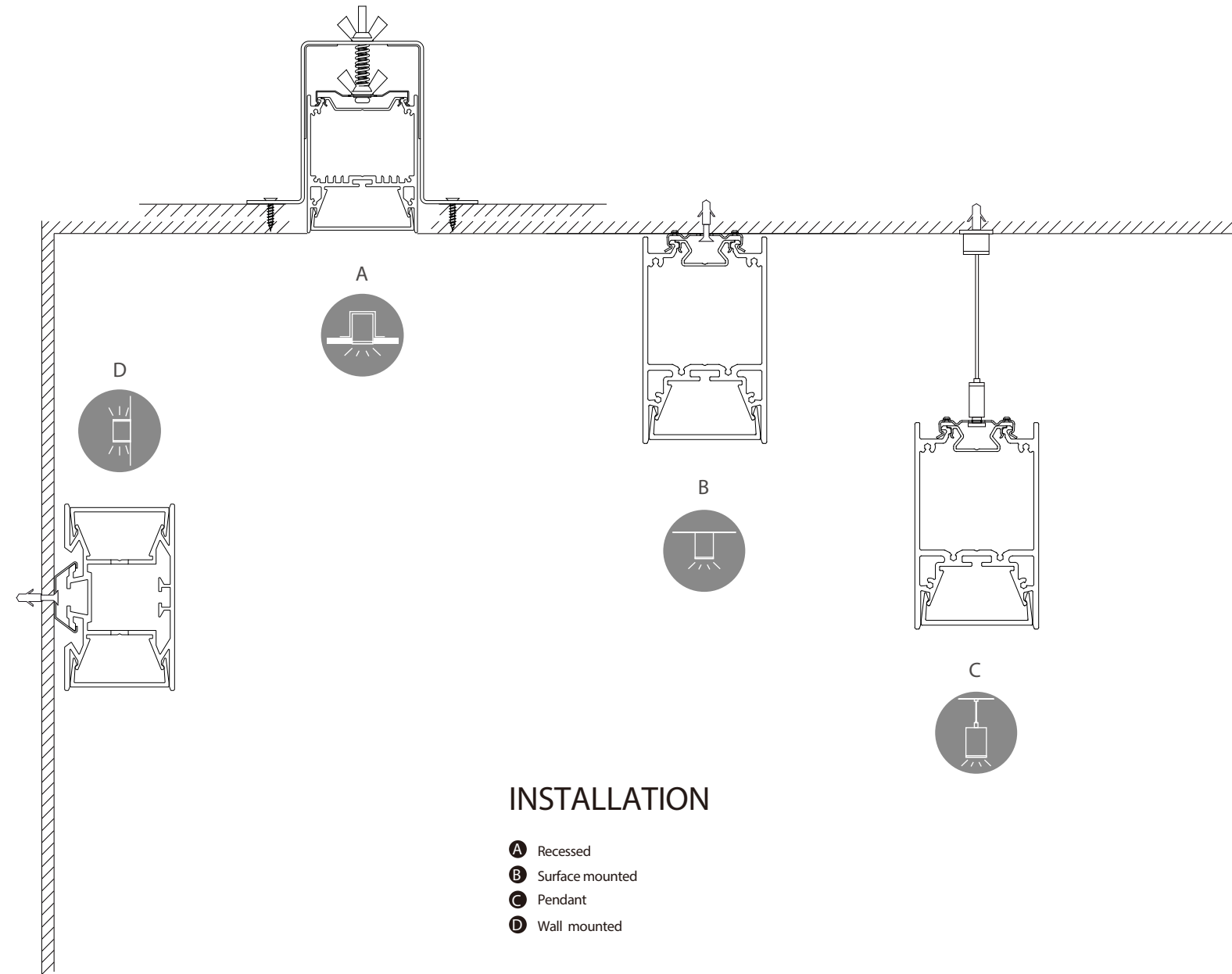
# INTRODUCTION

Professional main lighting for commercial and office space; we focus both on appearance and performance, simplicity and fashion designed, constant current driver, brings safety and high luminous efficacy; elegant design with linear aluminum, perfect heat dissipation.

# PRODUCT CODE



# INSTALLATION

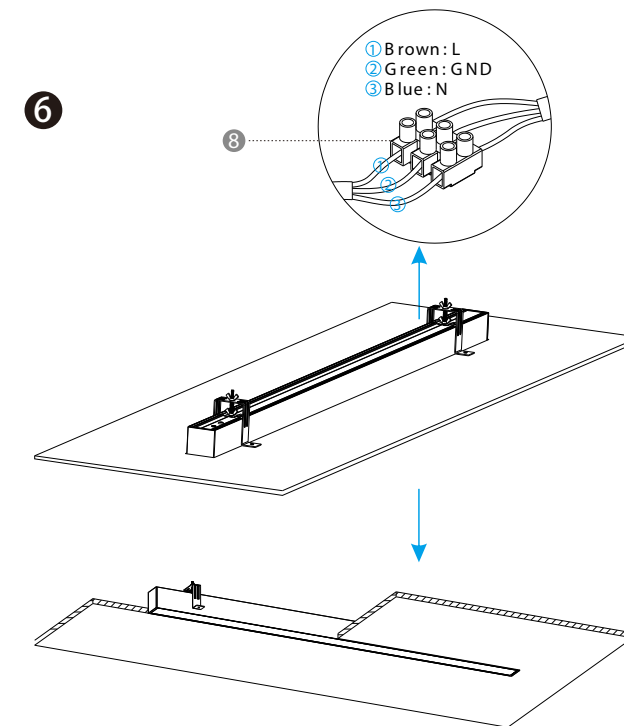
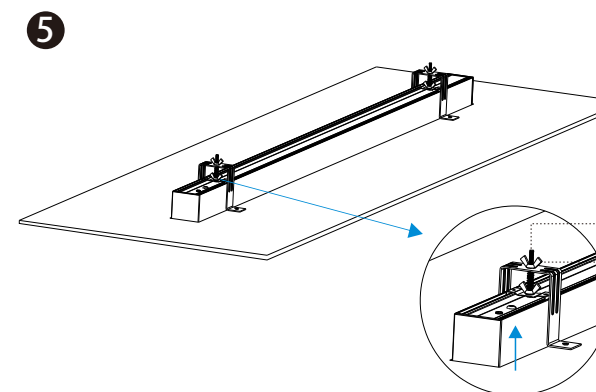
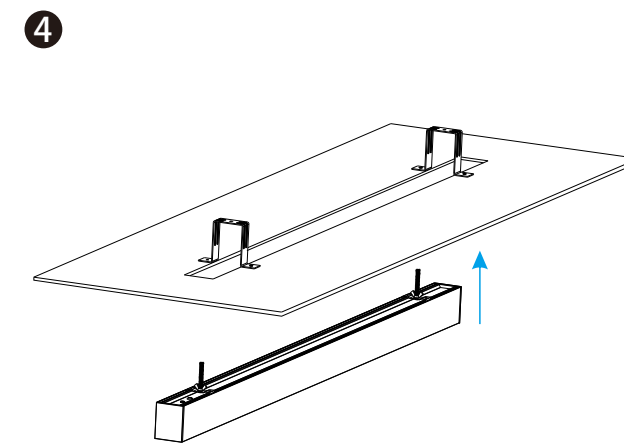
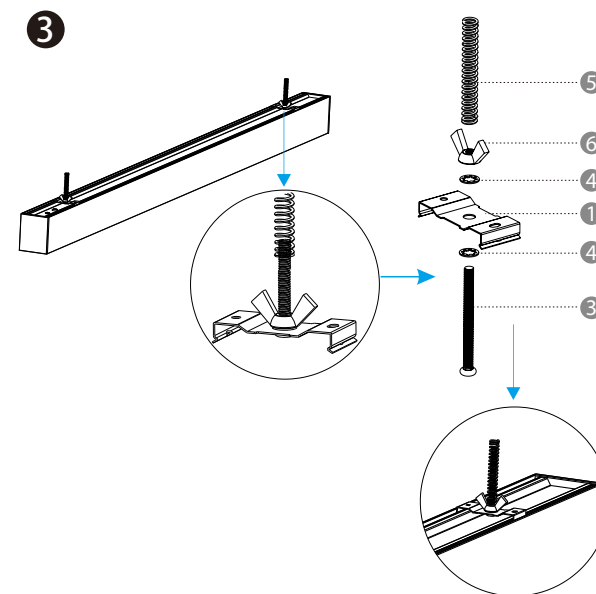
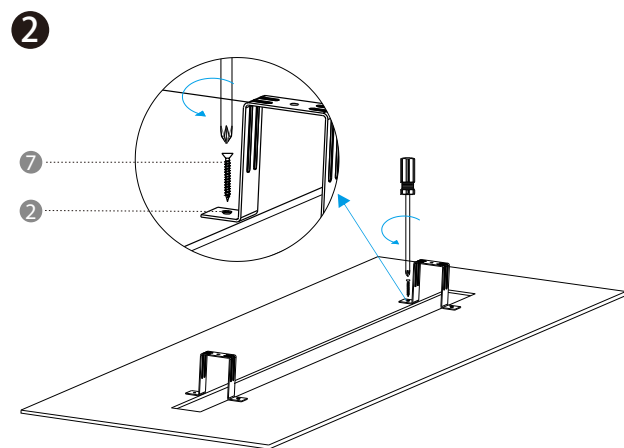
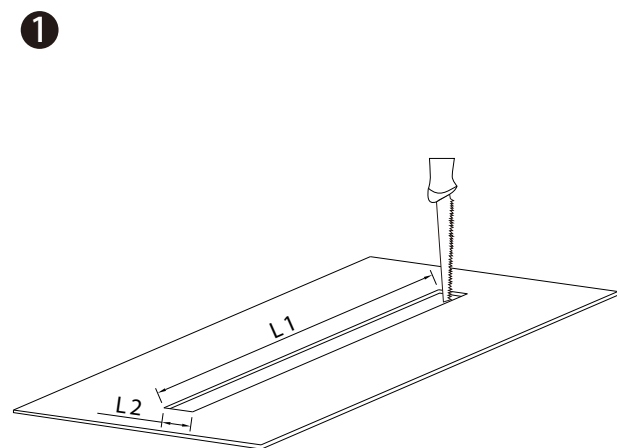
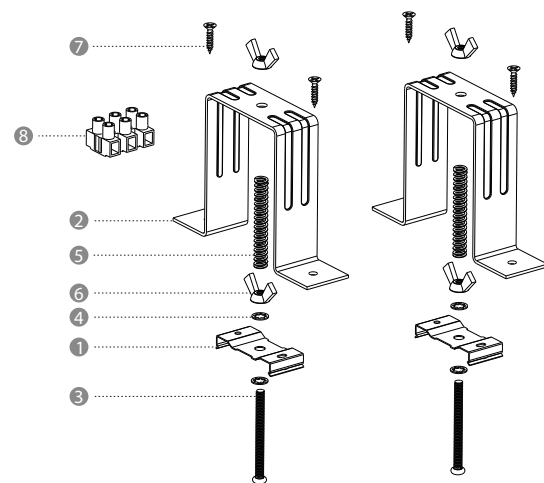


# RECESSED INSTALLATION

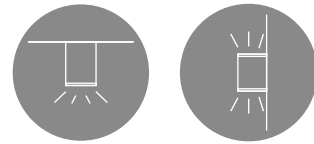


## Accessories

- ① Silvery clip/2pcs
- ② Silvery embedded bracket/2pcs
- ③ M4 round-head cross s crew/2pcs
- ④ M4 pad/4pcs
- ⑤ Spring/2pcs
- ⑥ M4 dish nut/4pcs
- ⑦ M3 flat-head self-tapping s crew/4pcs
- ⑧ 3PIN cable connector/1 pcs

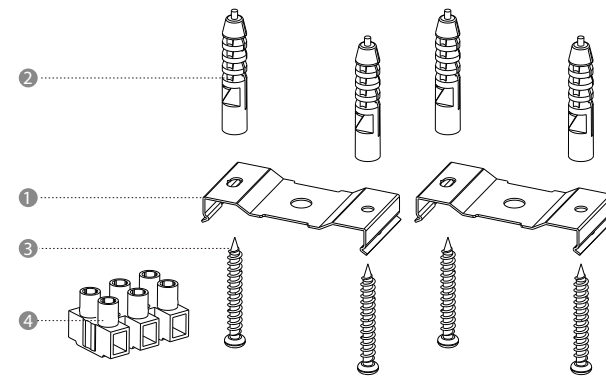


# SURFACE MOUNTED INSTALLATION

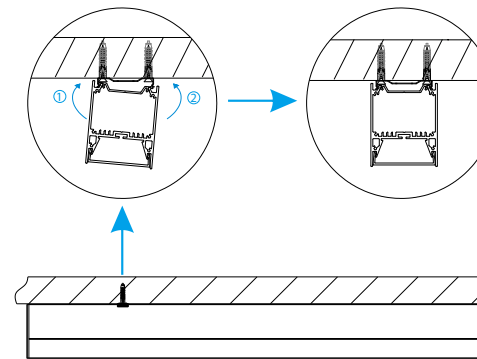


## Accessories

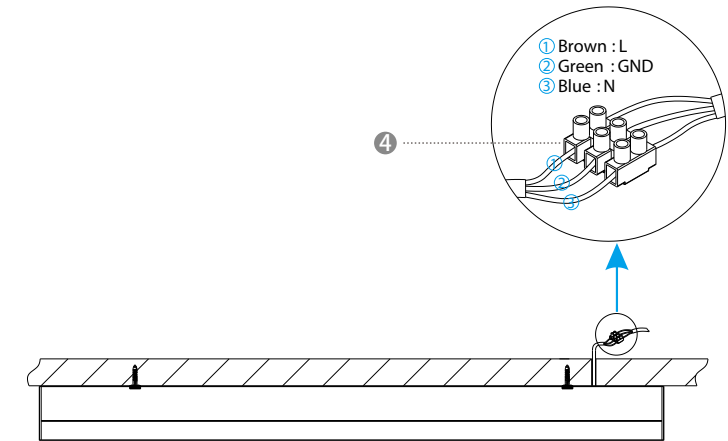
- ① Silvery clip/2pcs
- ② Expansion pipe/6Pcs
- ③ M3 round-head cross self-tapping screw/6pcs
- ④ 3PIN cable connector/1 pcs



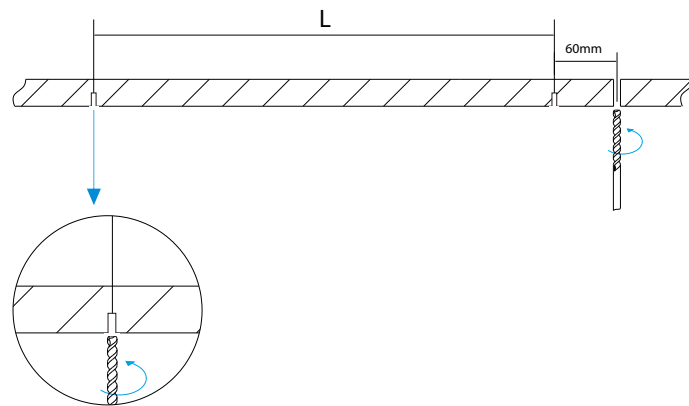
3



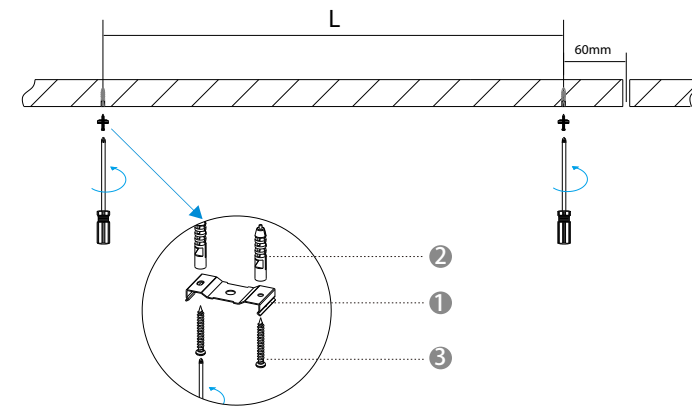
4



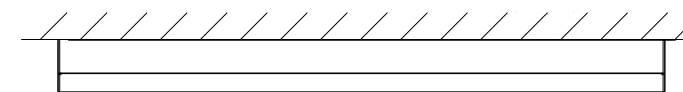
1



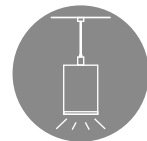
2



5

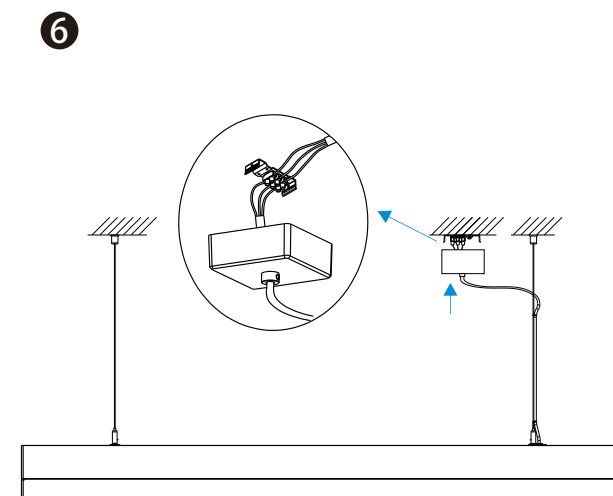
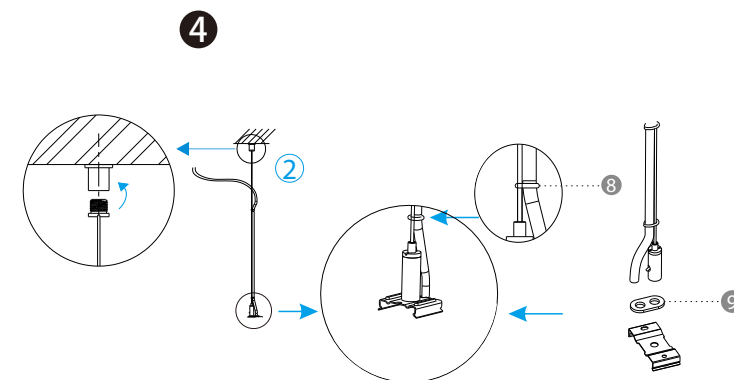
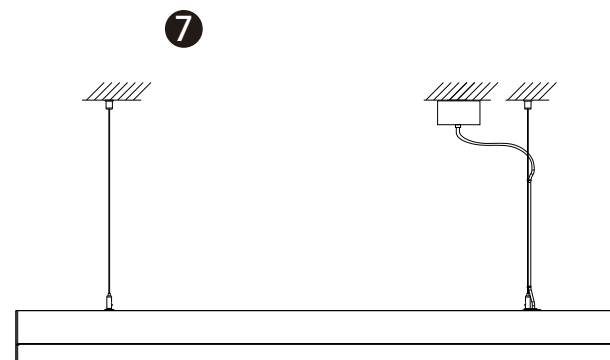
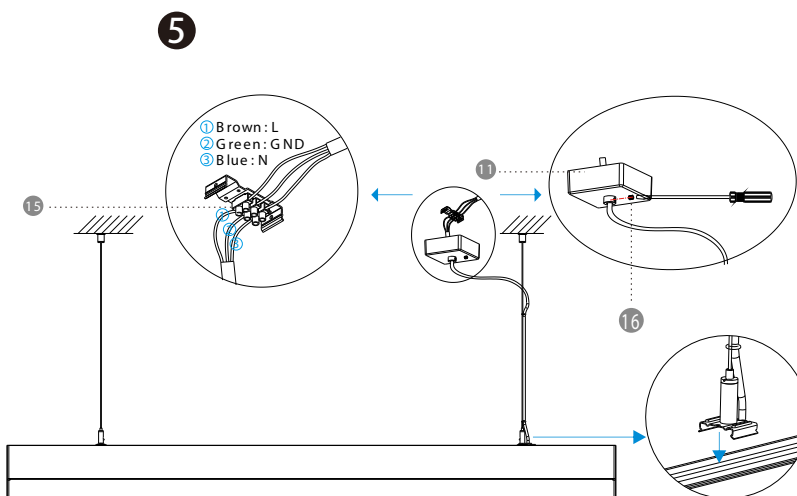
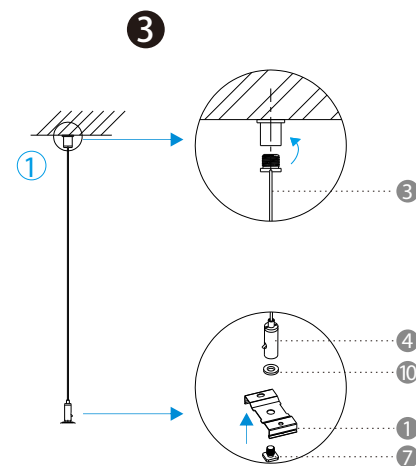
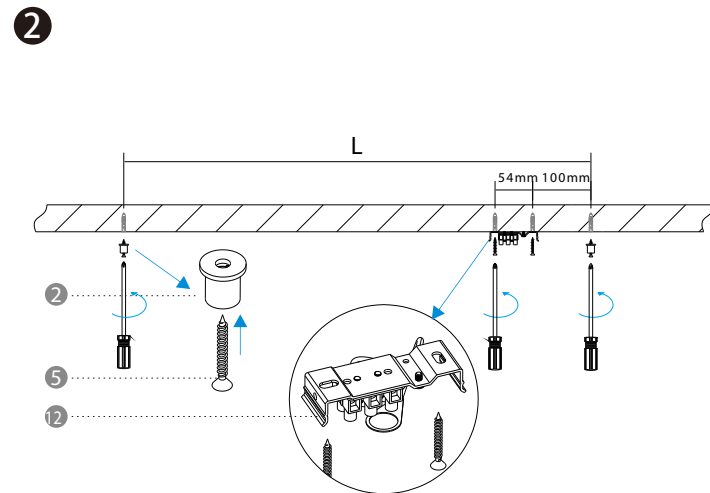
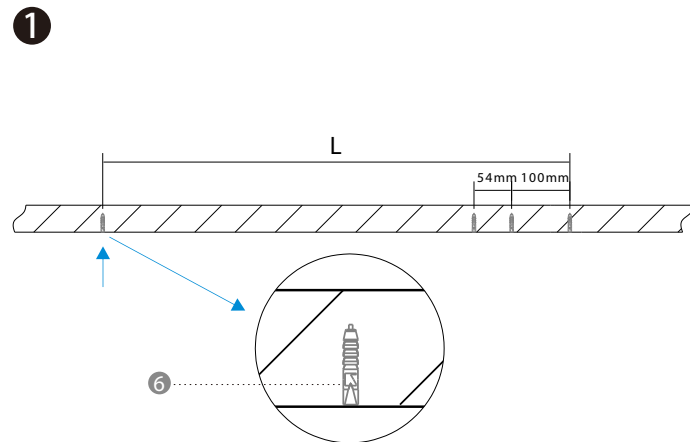
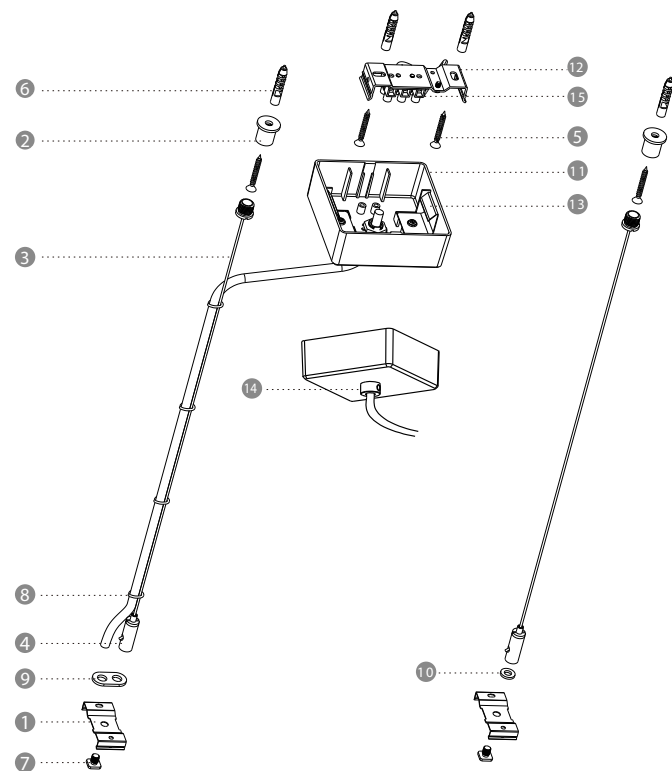


# PENDANT INSTALLATION



## Accessories

- ① Silvery clip/2pcs
- ② Fixing hardware/2pcs
- ③ Plastic-covered steel wire/2pcs
- ④ Terminal block/2pcs
- ⑤ Wallboard screw/4pcs
- ⑥ Expansion pipe /4pcs
- ⑦ Square-head screw/2pcs
- ⑧ Silicone ring/6pcs
- ⑨ Buckle/1pcs
- ⑩ Nylon pad/1pcs
- ⑪ Canopy/1pcs
- ⑫ Bracket/1pcs
- ⑬ Spring plate/1pcs
- ⑭ Wire-fixing base/1pcs
- ⑮ 3PIN connector/1pcs
- ⑯ Plastic headless internal slotted screw/1pcs
- ⑰ 3PIN ground cable/1pcs



# PRODUCT LIST

Model	Image	CIE	Diffuser	Installation	Lenght	Power	CCT	Color
1.2inch		 Direct			1.2m	18W	2800 - 3200K 3800 - 4200K 5800 - 6500K	S W B
					2.5m	28W		
1.5inch		 Direct			1.2m	25W	2800 - 3200K 3800 - 4200K 5800 - 6500K	S W B
					2.5m	50W		
2.0 inch		 Direct			1.2m	28W	2800 - 3200K 3800 - 4200K 5800 - 6500K	S W B
					2.5m	55W		
		 Semi-direct			1.2m	10W+28W	2800 - 3200K 3800 - 4200K 5800 - 6500K	S W B
					2.5m	20W+56W		
3.0 inch		 Direct			1.2m	40W	2800 - 3200K 3800 - 4200K 5800 - 6500K	S W B
					2.5m	75W		
4.0 inch		 Direct			1.2m	50W	2800 - 3200K 3800 - 4200K 5800 - 6500K	S W B
					2.5m	100W		

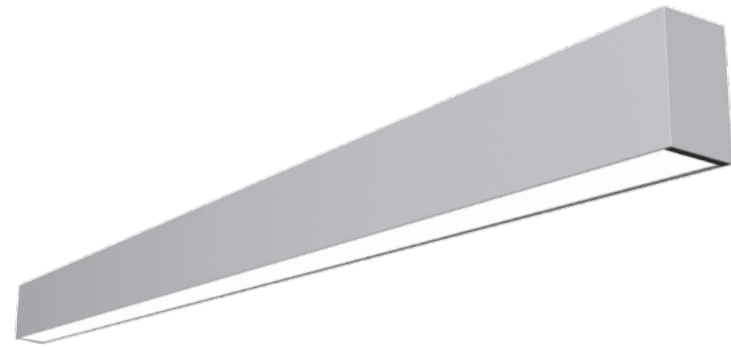


1.2 Inch Series

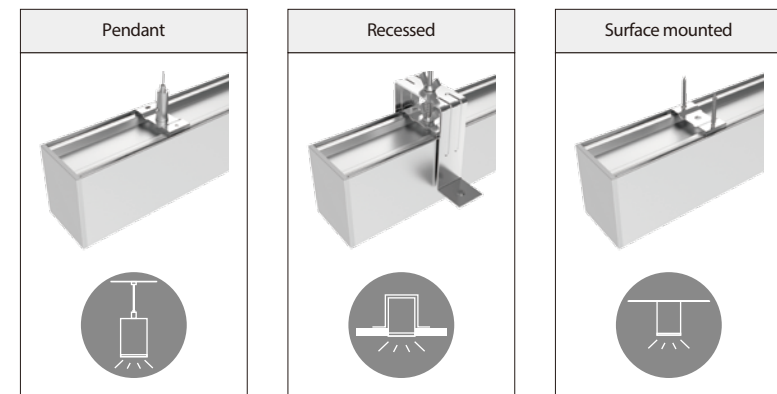




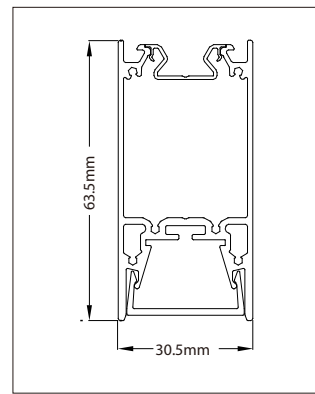
# L12P SERIES



## INSTALLATION METHOD



## SECTION SIZE



## DESCRIPTION

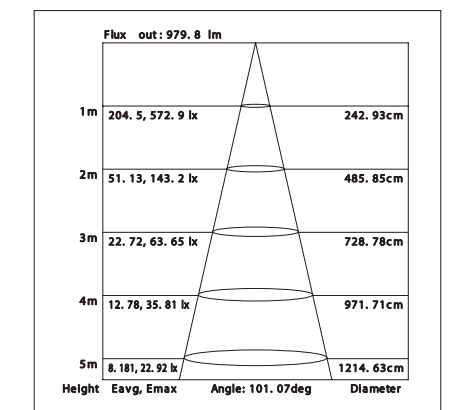
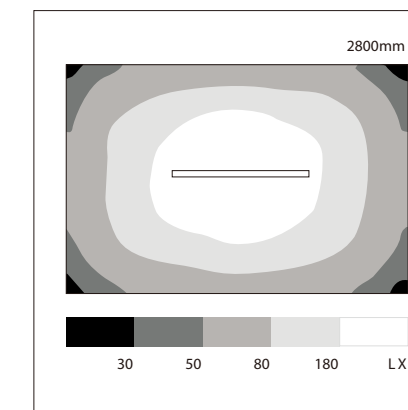
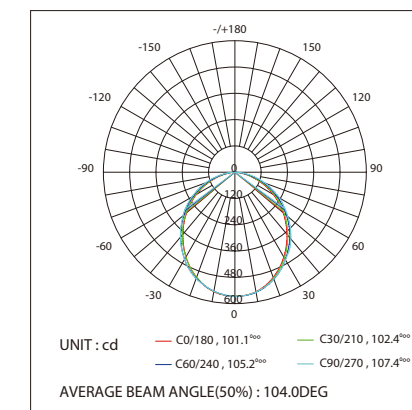
L12P series use aluminum profiles, screwless plastic end caps and PC dispensers with high transmittance. The lightings provide uniform and consistent lamination without glare because of the light leakage prevented structure and specially designed light outlet angle of the profiles. This series of lightings can be installed in different methods, including surface mounting, pendant and recessed installing, totally easy and convenient and no disassembly at all. The build-in integrated power supply is safe, efficient without stroboflash, and is CCC, UL and CE approved. This series has the profile width of 1.2" standard.

## PARAMETERS

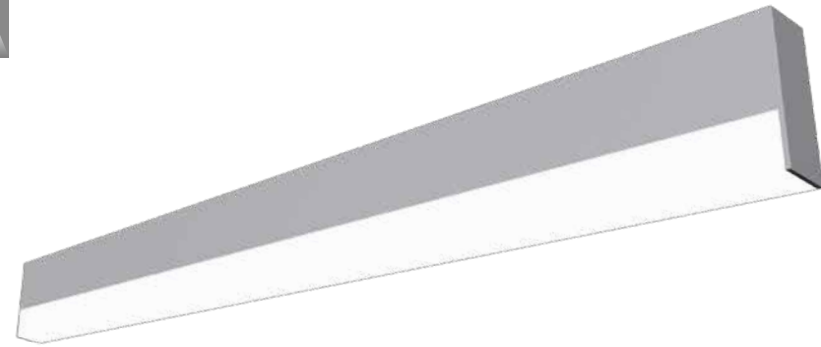
\*The specs are the results of 4000K LEDs

Item No	LM-L12AP	LM-L12BP
Size(mm)	L1152*W30.5*H63.5mm	L2507*W30.5*H63.5mm
Power(W)	18W	28W
Luminous flux	1450 lm	2250 lm
CCT (K)	3000K / 4000K / 6000K	3000K / 4000K / 6000K
Voltage	AC 100-277V	AC 100-277V
PF	0.95	0.95
Beam angle	105 °	105 °
CRI (Ra)	≥80	≥80
Color	Silver / White / Black	
Installation	Pendant / Recessed / Surface mounted	
Rated Current	0.18A	0.28A

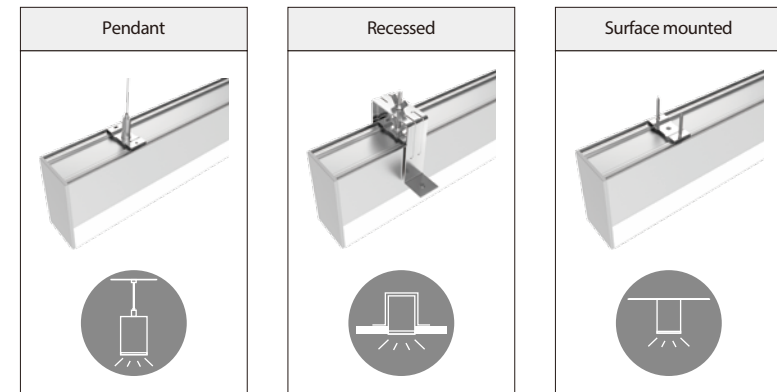
## PHOTOMETRIC DIAGRAM



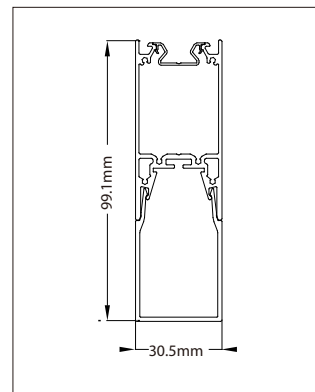
# L12U SERIES



## INSTALLATION METHOD



## SECTION SIZE



## DESCRIPTION

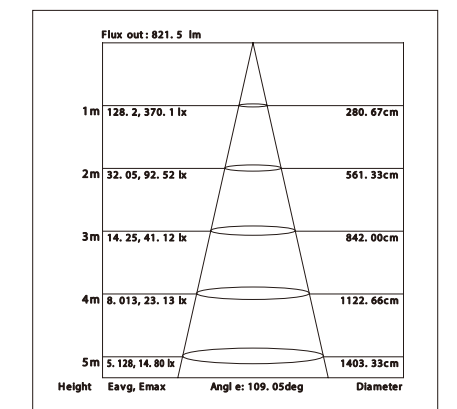
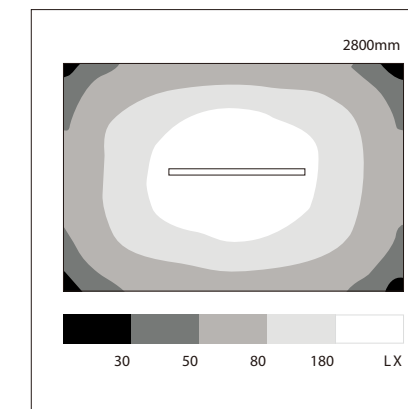
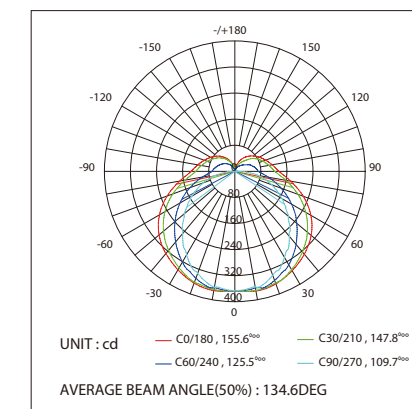
L12P series use aluminum profiles, screwless plastic end caps and U shape PC dispensers with high transmittance. The lightings provide uniform and consistent lamination without glare because of the light leakage prevented structure and specially designed light outlet angle of the profiles. This series of lightings can be installed in different methods, including surface mounting, pendant and recessed installing, totally easy and convenient and no disassembly at all. The build-in integrated power supply is safe, efficient without stroboflash, and is CCC, UL and CE approved. This series has the profile width of 1.2" standard.

## PARAMETERS

\*The specs are the results of 4000K LEDs

Item No	LM-L12AU	LM-L12BU
Size(mm)	L1152*W30.5*H99.1mm	L2507*W30.5*H99.1mm
Power(W)	18W	28W
Luminous flux	1650 lm	2600 lm
CCT (K)	3000K / 4000K / 6000K	3000K / 4000K / 6000K
Voltage	AC 100-277V	AC 100-277V
PF	0.95	0.95
Beam angle	135°	135°
CRI (Ra)	≥80	≥80
Color	Silver / White / Black	
Installation	Pendant / Recessed / Surface mounted	
Rated Current	0.18A	0.28A

## PHOTOMETRIC DIAGRAM





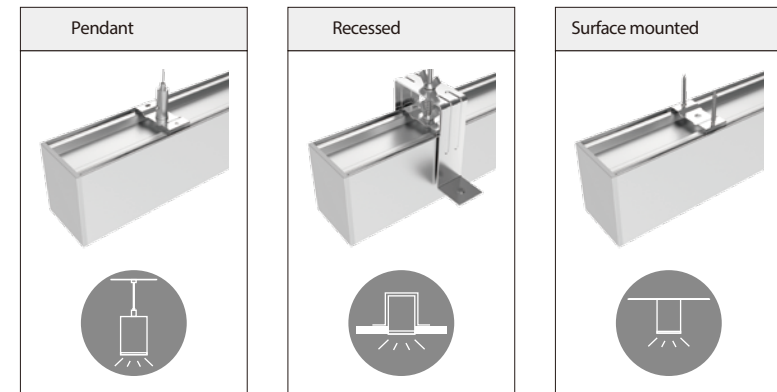
1.5 Inch Series



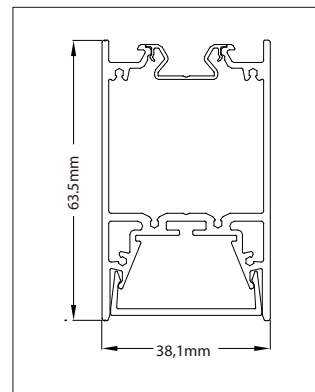
# L15P SERIES



## INSTALLATION METHOD



## SECTION SIZE



## DESCRIPTION

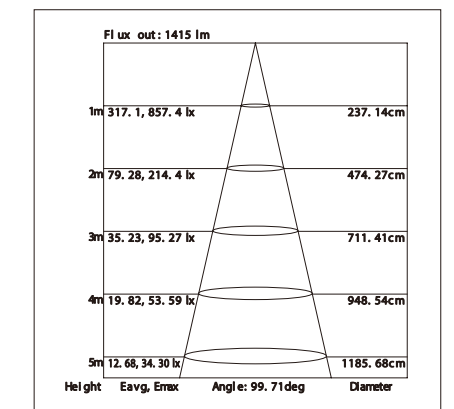
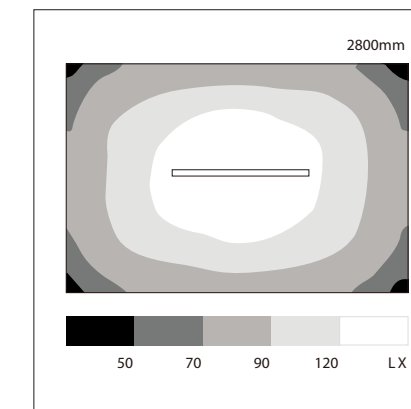
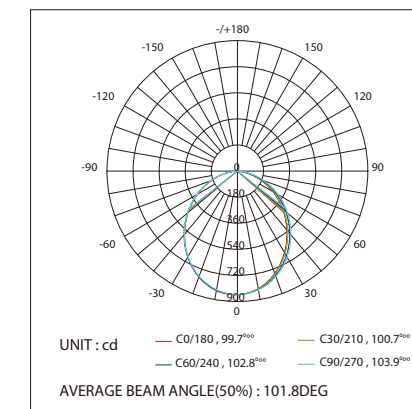
L15P series use aluminum profiles, screwless plastic end caps and PC dispensers with high transmittance. The lightings provide uniform and consistent lumination without glare because of the light leakage prevented structure and specially designed light outlet angle of the profiles. This series of lightings can be installed in different methods, including surface mounting, pendant and recessed installing, totally easy and convenient and no disassembly at all. The build-in integrated power supply is safe, efficient without stroboflash, and is CCC, UL and CE approved. This series has the profile width of 1.5" standard.

## PARAMETERS

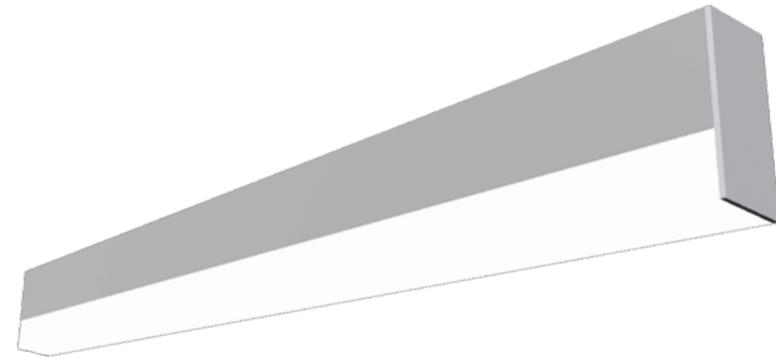
\*The specs are the results of 4000K LEDs

Item No	LM-L15AP	LM-L15BP
Size(mm)	L1152*W38.1*H63.5mm	L2507*W38.1*H63.5mm
Power(W)	25W	50W
Luminous flux	2100 lm	4200 lm
CCT (K)	3000K / 4000K / 6000K	3000K / 4000K / 6000K
Voltage	AC 100-277V	AC 100-277V
PF	0.95	0.95
Beam angle	102 °	102 °
CRI (Ra)	≥80	≥80
Color	Silver / White / Black	
Installation	Pendant / Recessed / Surface mounted	
Rated Current	0.25A	0.5A

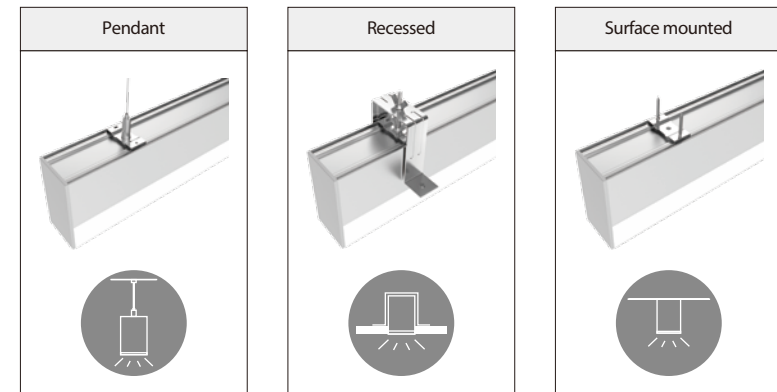
## PHOTOMETRIC DIAGRAM



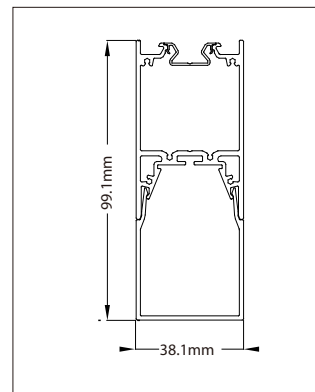
# L15U SERIES



## INSTALLATION METHOD



## SECTION SIZE



## DESCRIPTION

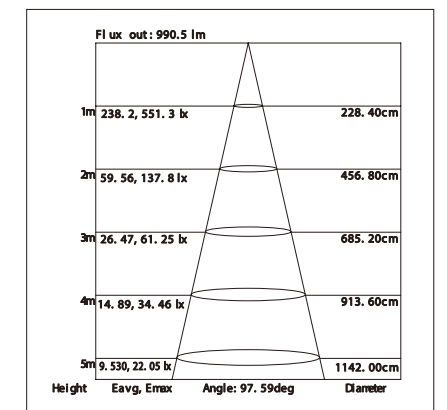
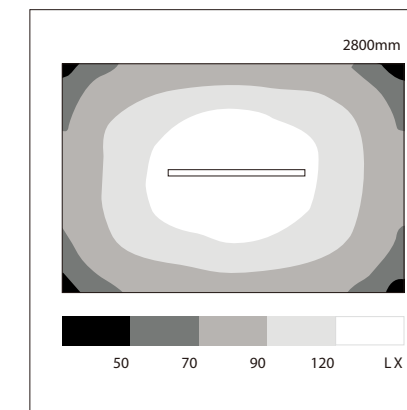
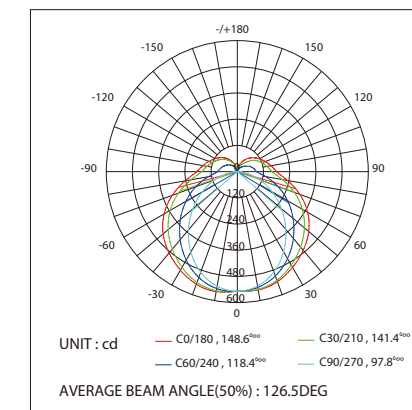
L15U series use aluminum profiles, screwless plastic end caps and U shape PC dispensers with high transmittance. The lightings provide uniform and consistent lumination without glare because of the light leakage prevented structure and specially designed light outlet angle of the profiles. This series of lightings can be installed in different methods, including surface mounting, pendant and recessed installing, totally easy and convenient and no disassembly at all. The build-in integrated power supply is safe, efficient without stroboflash, and is CCC, UL and CE approved. This series has the profile width of 1.5" standard.

## PARAMETERS

\*The specs are the results of 4000K LEDs

Item No	LM-L15AU	LM-L15BU
Size(mm)	L1152*W38.1*H99.1mm	L2507*W38.1*H99.1mm
Power(W)	25W	50W
Luminous flux	2200 lm	4500 lm
CCT (K)	3000K / 4000K / 6000K	3000K / 4000K / 6000K
Voltage	AC 100-277V	AC 100-277V
PF	0.95	0.95
Beam angle	125 °	125 °
CRI (Ra)	≥80	≥80
Color	Silver / White / Black	
Installation	Pendant / Recessed / Surface mounted	
Rated Current	0.25A	0.5A

## PHOTOMETRIC DIAGRAM

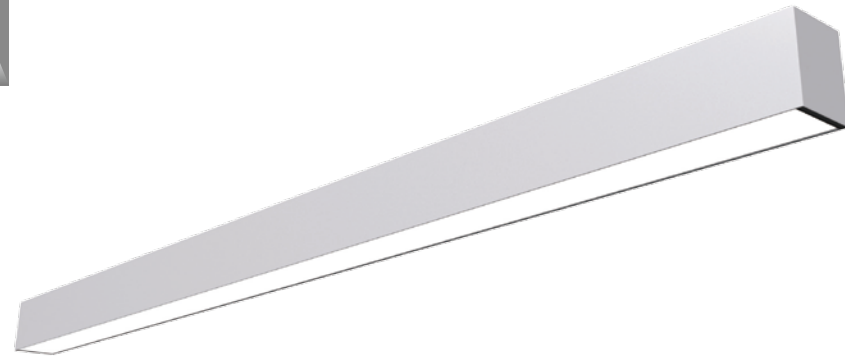




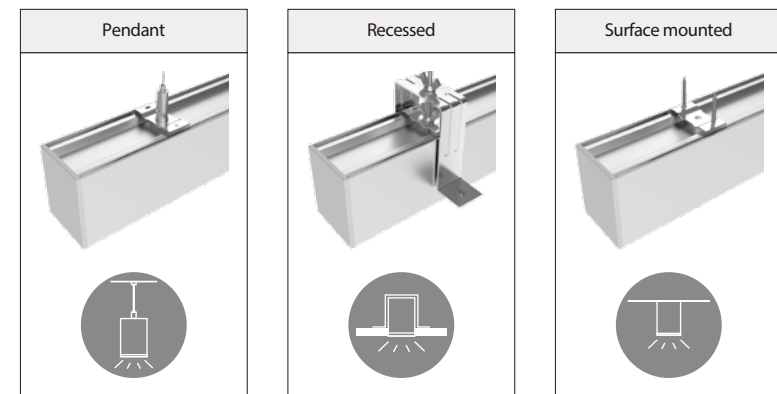
2.0 Inch Series



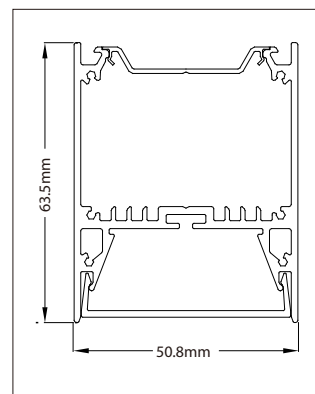
# L02P SERIES



## INSTALLATION METHOD



## SECTION SIZE



## DESCRIPTION

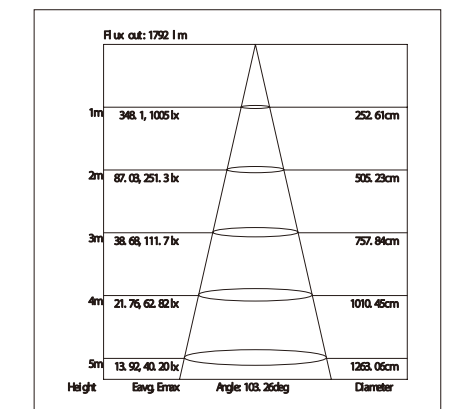
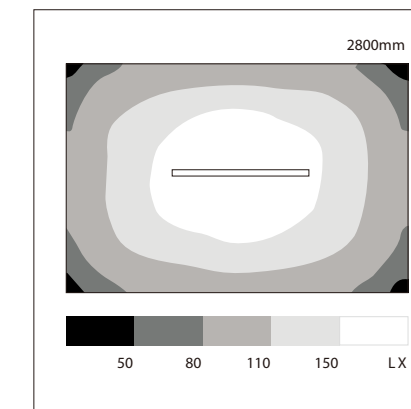
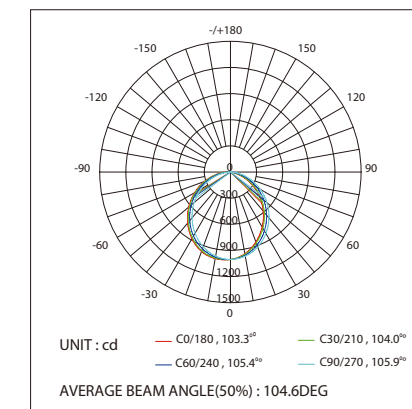
L2P series use aluminum profiles, screwless plastic end caps and PC dispensers with high transmittance. The lightings provide uniform and consistent lumination without glare because of the light leakage prevented structure and specially designed light outlet angle of the profiles. This series of lightings can be installed in different methods, including surface mounting, pendant and recessed installing, totally easy and convenient and no disassembly at all. The build-in integrated power supply is safe, efficient without strobeflash, and is CCC, UL and CE approved. This series has the profile width of 2" standard.

## PARAMETERS

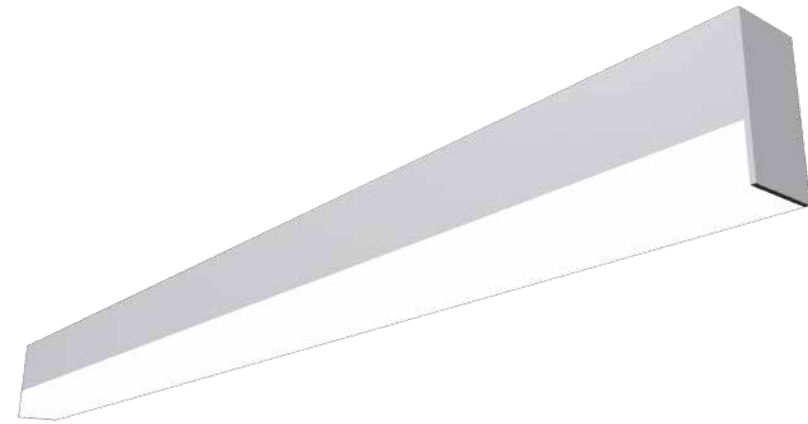
\*The specs are the results of 4000K LEDs

Item No	LM-L02AP	LM-L02BP
Size(mm)	L1152*W50.8*H63.5mm	L2507*W50.8*H63.5mm
Power(W)	28W	55W
Luminous flux	2430 lm	4800 lm
CCT (K)	3000K / 4000K / 6000K	3000K / 4000K / 6000K
Voltage	AC 100-277V	AC 100-277V
PF	0.95	0.95
Beam angle	105 °	105 °
CRI (Ra)	≥80	≥80
Color	Silver / White / Black	
Installation	Pendant / Recessed / Surface mounted	
Rated Current	0.28A	0.55A

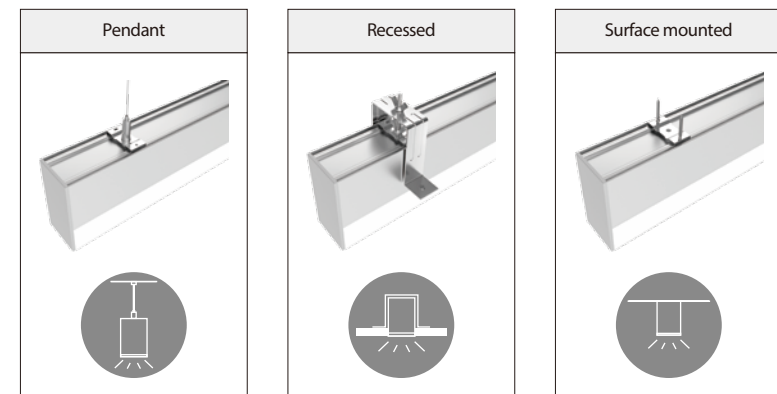
## PHOTOMETRIC DIAGRAM



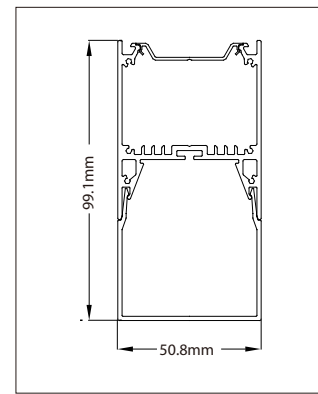
# L02U SERIES



## INSTALLATION METHOD



## SECTION SIZE



## DESCRIPTION

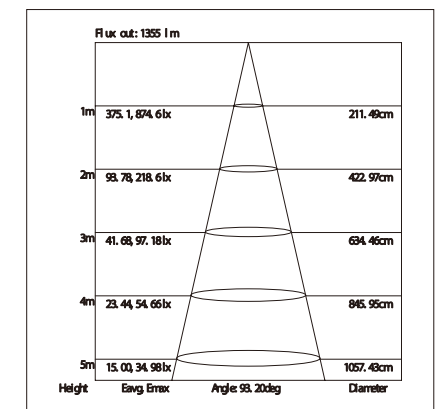
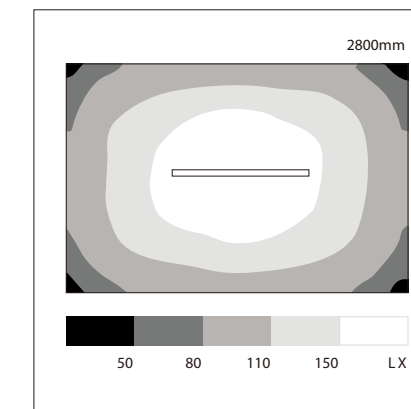
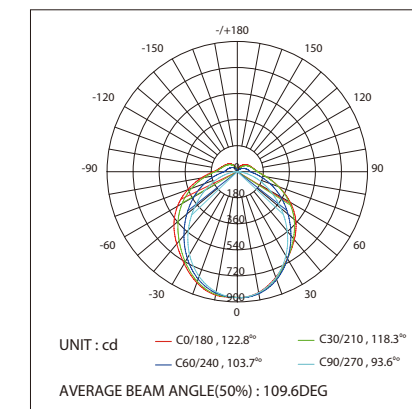
L2U series use aluminum profiles, screwless plastic end caps and U shape PC dispensers with high transmittance. The lightings provide uniform and consistent lumination without glare because of the light leakage prevented structure and specially designed light outlet angle of the profiles. This series of lightings can be installed in different methods, including surface mounting, pendant and recessed installing, to tally easy and convenient and no disassembly at all. The build-in integrated power supply is safe, efficient without stroboflash, and is CCC, UL and CE approved. This series has the profile width of 2" standard.

## PARAMETERS

\*The specs are the results of 4000K LEDs

Item No	LM-L02AU	LM-L02BU
Size(mm)	L1152*W50.8*H99.1mm	L2507*W50.8*H99.1mm
Power(W)	28W	55W
Luminous flux	2740 lm	5350 lm
CCT (K)	3000K / 4000K / 6000K	3000K / 4000K / 6000K
Voltage	AC 100-277V	AC 100-277V
PF	0.95	0.95
Beam angle	110°	110°
CRI (Ra)	≥80	≥80
Color	Silver / White / Black	
Installation	Pendant / Recessed / Surface mounted	
Rated Current	0.28A	0.55A

## PHOTOMETRIC DIAGRAM

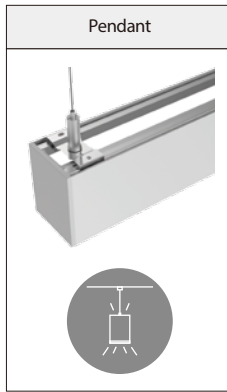




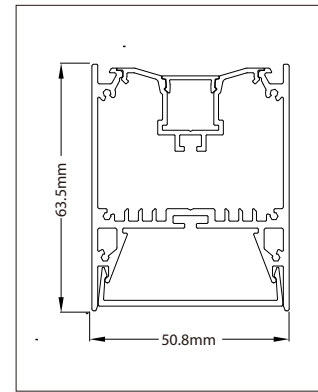
# L02PP SERIES



## INSTALLATION METHOD



## SECTION SIZE



## DESCRIPTION

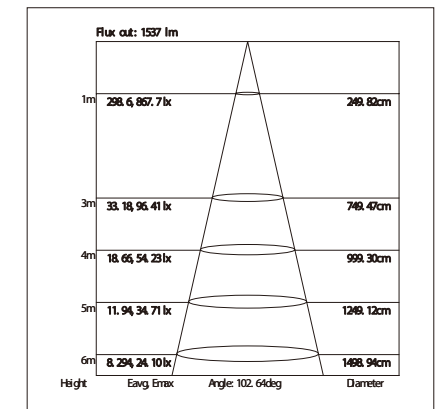
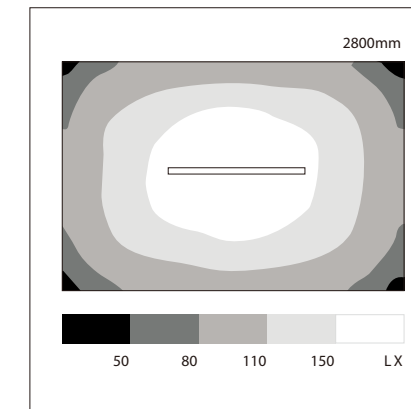
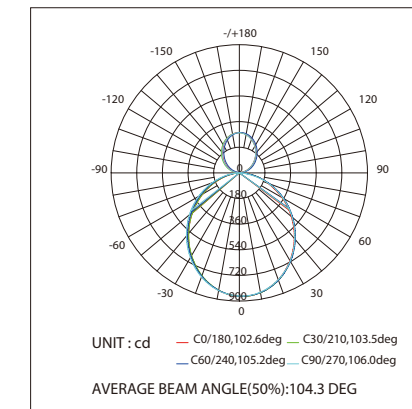
Adopts aluminum profile and PC end-caps with no screw, made redesign to get the double emitting effect which based on the origin structure. Optimized the anti-leakage design, and the modularized installation method with the emitting design according to aluminum profile to make sure the lighting uniformity with no dazzle. Internal power supply with high safe, high efficient and no stroboflash features, conforms to the requirements of CCC, UL and CE. The size matches to the standard of 2 inch.

## PARAMETERS

\*The specs are the results of 4000K LEDs

Item No	LM-L02APPSD	LM-L02BPPSD
Size(mm)	L1152*W50.8*H63.5mm	L2507*W50.8*H63.5mm
Power(W)	10W (up) 28W (down)	20W (up) 56W (down)
Luminous flux	600 lm (up) 2100 lm (down)	1200 lm (up) 4200 lm (down)
CCT (K)	3000K / 4000K / 6000K	3000K / 4000K / 6000K
Voltage	AC 100-277V	AC 100-277V
PF	>0.95	>0.95
Beam angle	65°(up) 104°(down)	65°(up) 104°(down)
CRI (Ra)	≥80	≥80
Color	Silver / White / Black	
Installation	Pendant	Pendant
Rated Current	0.1A (up) 0.28A (down)	0.2A (up) 0.56A (down)

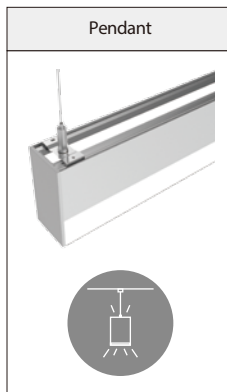
## PHOTOMETRIC DIAGRAM



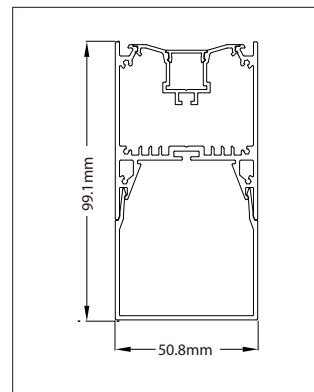
# L02PU SERIES



## INSTALLATION METHOD



## SECTION SIZE



## DESCRIPTION

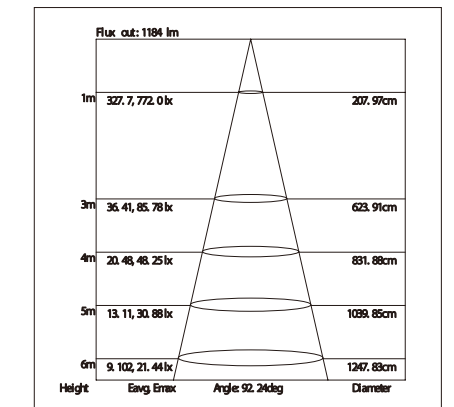
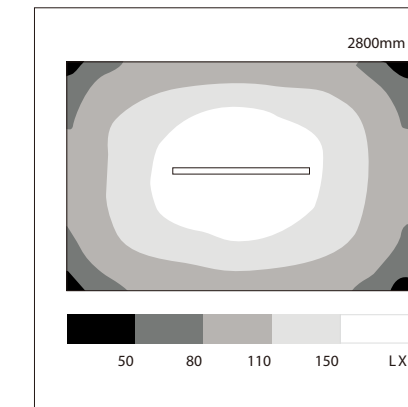
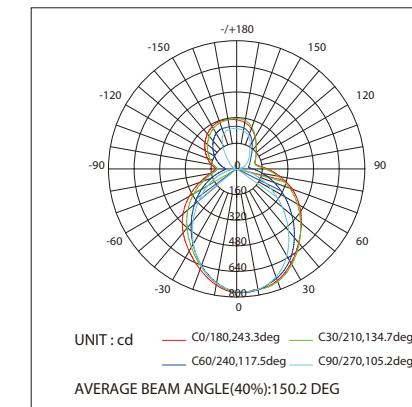
Adopts aluminum profile and PC end-caps with no screw, made redesign to get the double emitting effect which based on the origin structure. Optimized the anti-leakage design, and the modularized installation method with the emitting design according to aluminum profile to make sure the lighting uniformity with no dazzle. Internal power supply with high safe, high efficient and no stroboflash features, conforms to the requirements of CCC, UL and CE. The size matches to the standard of 2 inch.

## PARAMETERS

\*The specs are the results of 4000K LEDs

Item No	LM-L02APUSD	LM-L02BPUSD
Size(mm)	L1152*W50.8*H99.1mm	L2507*W50.8*H99.1mm
Power(W)	10W (up) 28W (down)	20W (up) 56W (down)
Luminous flux	600 lm (up) 2400 lm (down)	1200 lm (up) 4800 lm (down)
CCT (K)	3000K / 4000K / 6000K	3000K / 4000K / 6000K
Voltage	AC 100-277V	AC 100-277V
PF	>0.95	>0.95
Beam angle	65°(up) 110°(down)	65°(up) 110°(down)
CRI (Ra)	≥80	≥80
Color	Silver / White / Black	
Installation	Pendant	Pendant
Rated Current	0.1A (up) 0.28A (down)	0.2A (up) 0.56A (down)

## PHOTOMETRIC DIAGRAM

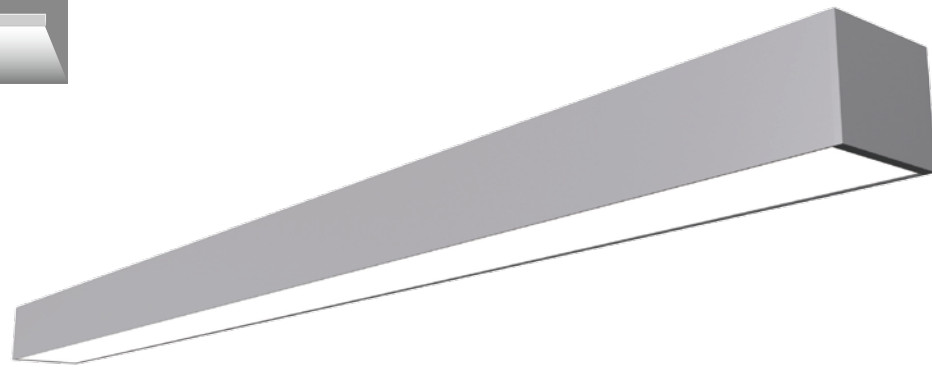




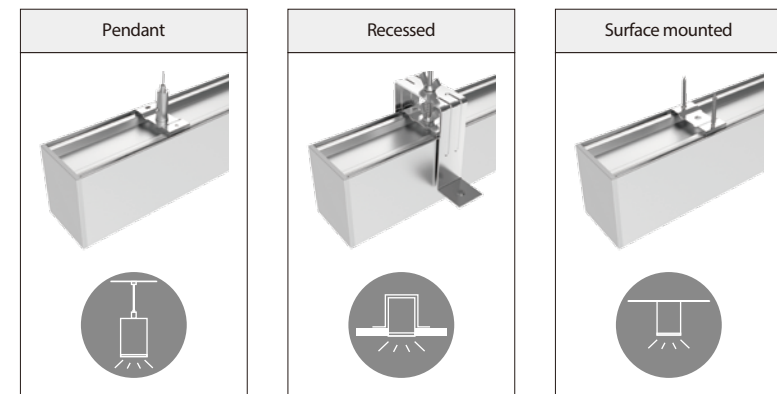
3.0 Inch Series



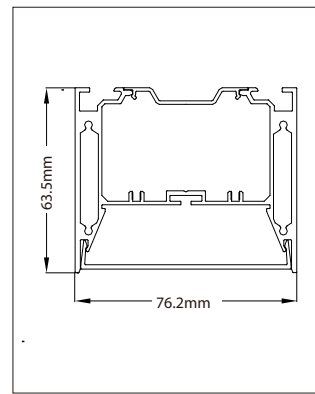
# L03P SERIES



## INSTALLATION METHOD



## SECTION SIZE



## DESCRIPTION

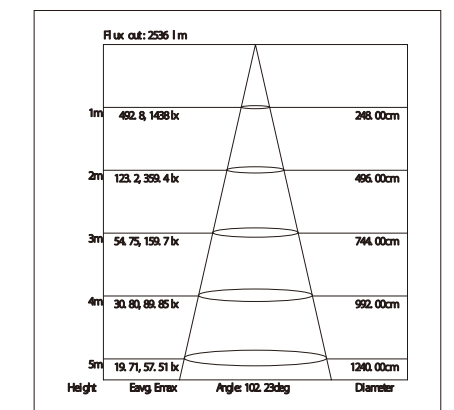
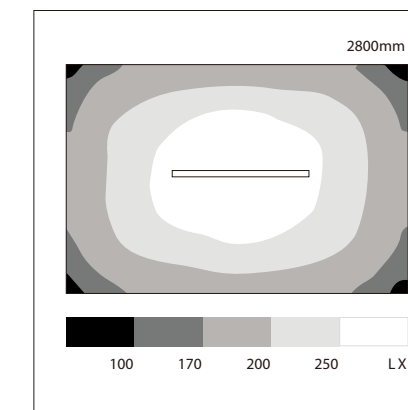
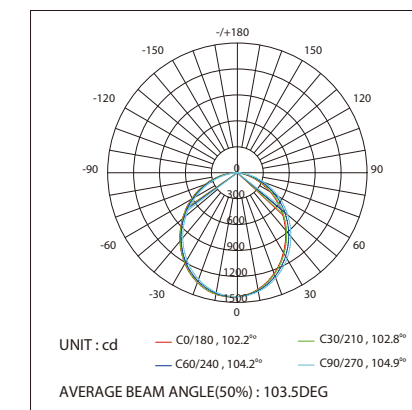
L3P series use aluminum profiles, screwless plastic end caps and PC dispensers with high transmittance. The lightings provide uniform and consistent lumination without glare because of the light leakage prevented structure and specially designed light outlet angle of the profiles. This series of lightings can be installed in different methods, including surface mounting, pendant and recessed installing, totally easy and convenient and no disassembly at all. The build-in integrated power supply is safe, efficient without stroboflash, and is CCC, UL and CE approved. This series has the profile width of 3" standard.

## PARAMETERS

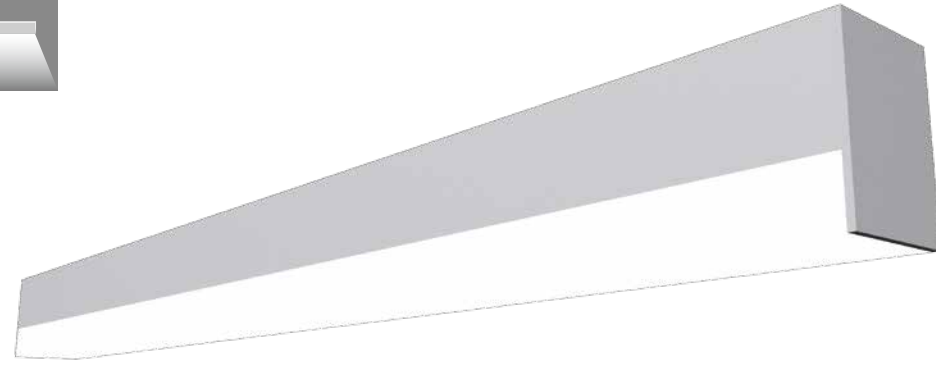
\*The specs are the results of 4000K LEDs

Item No	LM-L03AP	LM-L03BP
Size(mm)	L1152*W76.2*H63.5mm	L2507*W76.2*H63.5mm
Power(W)	40W	75W
Luminous flux	3200 lm	6000 lm
CCT (K)	3000K / 4000K / 6000K	3000K / 4000K / 6000K
Voltage	AC 100-277V	AC 100-277V
PF	0.95	0.95
Beam angle	105 °	105 °
CRI (Ra)	≥80	≥80
Color	Silver / White / Black	
Installation	Pendant / Recessed / Surface mounted	
Rated Current	0.4A	0.75A

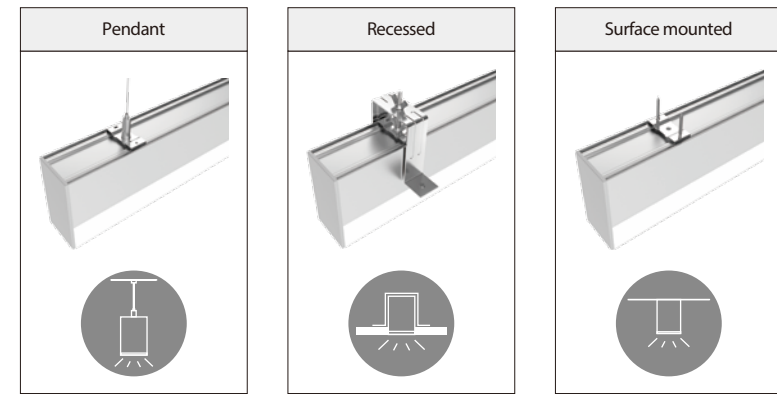
## PHOTOMETRIC DIAGRAM



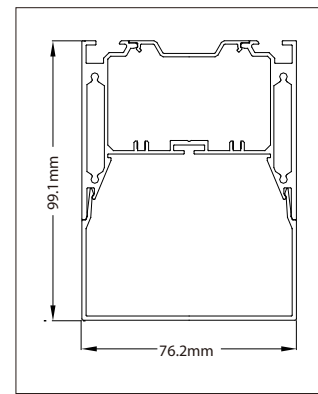
# L03U SERIES



## INSTALLATION METHOD



## SECTION SIZE



## DESCRIPTION

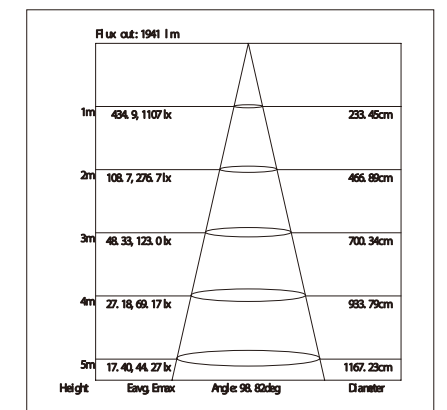
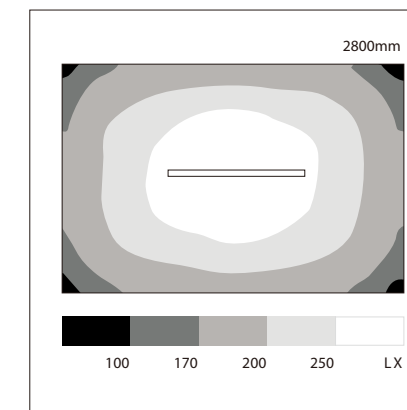
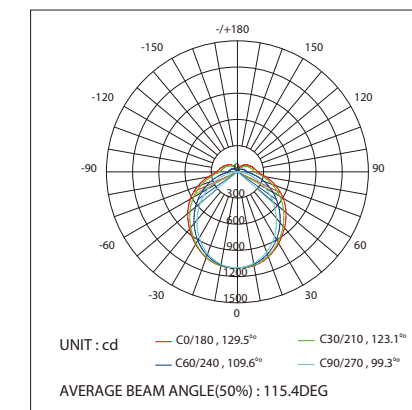
L3U series use aluminum profiles, screwless plastic end caps and U shape PC dispensers with high transmittance. The lightings provide uniform and consistent lumination without glare because of the light leakage prevented structure and specially designed light outlet angle of the profiles. This series of lightings can be installed in different methods, including surface mounting, pendant and recessed installing, to tally easy and convenient and no disassembly at all. The build-in integrated power supply is safe, efficient without stroboflash, and is CCC, UL and CE approved. This series has the profile with of 3" standard.

## PARAMETERS

\*The specs are the results of 4000K LEDs

Item No	LM-L03AU	LM-L03BU
Size(mm)	L1152*W76.2*H99.1mm	L2507*W76.2*H99.1mm
Power(W)	40W	75W
Luminous flux	3400 lm	6400 lm
CCT (K)	3000K / 4000K / 6000K	3000K / 4000K / 6000K
Voltage	AC 100-277V	AC 100-277V
PF	0.95	0.95
Beam angle	115°	115°
CRI (Ra)	≥80	≥80
Color	Silver / White / Black	
Installation	Pendant / Recessed / Surface mounted	
Rated Current	0.4A	0.75A

## PHOTOMETRIC DIAGRAM

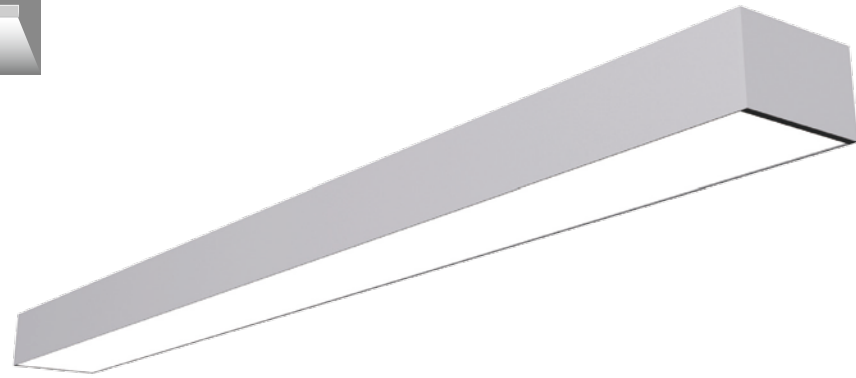




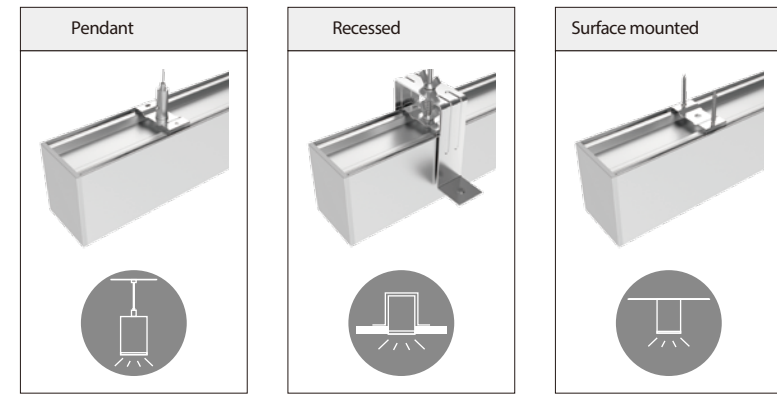
4.0 Inch Series



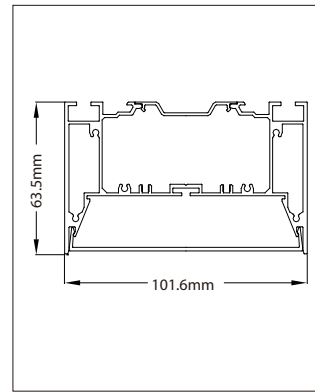
# L04P SERIES



## INSTALLATION METHOD



## SECTION SIZE



## DESCRIPTION

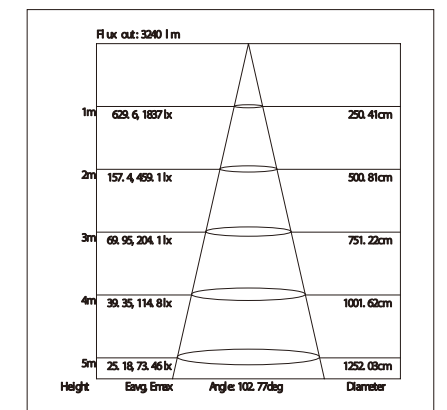
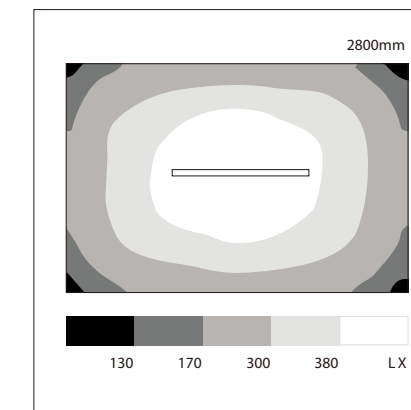
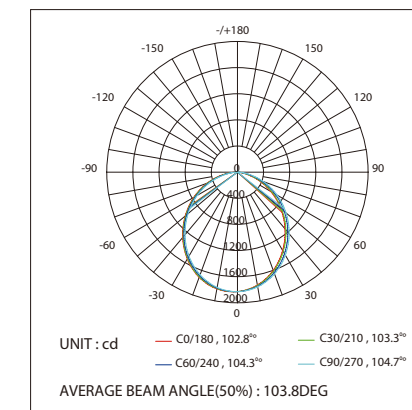
L14P series use aluminum profiles, screwless plastic end caps and PC dispensers with high transmittance. The lightings provide uniform and consistent lumination without glare because of the light leakage prevented structure and specially designed light outlet angle of the profiles. This series of lightings can be installed in different methods, including surface mounting, pendant and recessed installing, totally easy and convenient and no disassembly at all. The build-in integrated power supply is safe, efficient without stroboflash, and is CCC, UL and CE approved. This series has the profile width of 4" standard.

## PARAMETERS

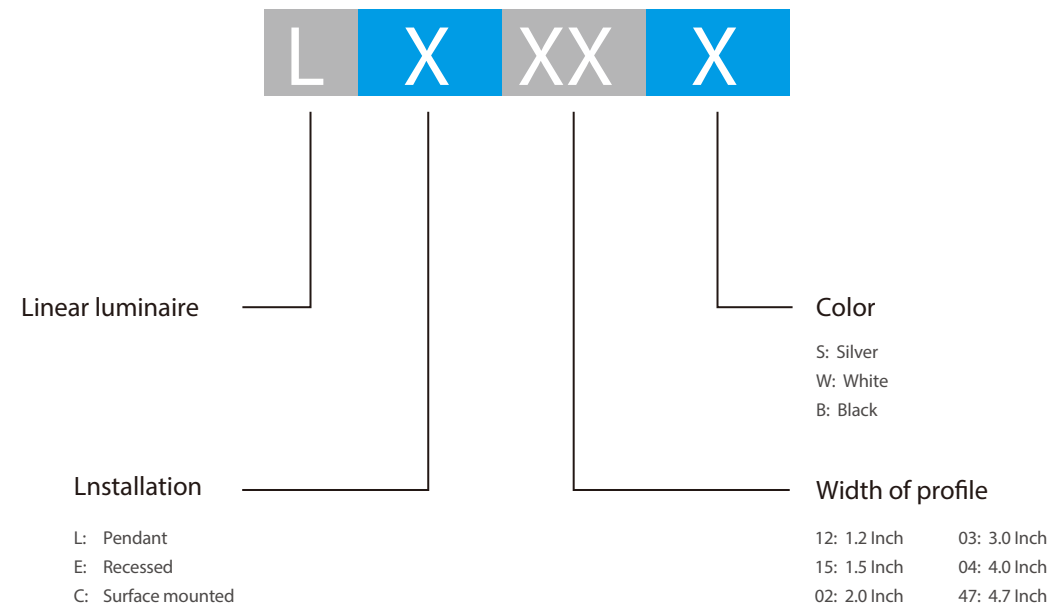
\*The specs are the results of 4000K LEDs

Item No	LM-L04AP	LM-L04BP
Size(mm)	L1152*W101.6*H63.5mm	L2507*W101.6*H63.5mm
Power(W)	50W	100W
Luminous flux	4050 lm	8050 lm
CCT (K)	3000K / 4000K / 6000K	3000K / 4000K / 6000K
Voltage	AC 100-277V	AC 100-277V
PF	0.95	0.95
Beam angle	105°	105°
CRI (Ra)	≥80	≥80
Color	Silver / White / Black	
Installation	Pendant / Recessed / Surface mounted	
Rated Current	0.5A	1A

## PHOTOMETRIC DIAGRAM



# ACCESSORIES CODE



# ACCESSORIES LIST

Installation	Accessories	Accessory Model	Applicable size of light
Pendant		LL1215S	1.2 Inch Series 1.5 Inch Series
		LL02S	2.0 Inch Series
		LL0304S	3.0 Inch Series 4.0 Inch Series
Recessed		LE12S	1.2 Inch Series
		LE15S	1.5 Inch Series
		LE02S	2.0 Inch Series
		LE03S	3.0 Inch Series
		LE04S	4.0 Inch Series
Surface mounted		LC1215S	1.2 Inch Series 1.5 Inch Series
		LC02S	2.0 Inch Series
		LC0304S	3.0 Inch Series 4.0 Inch Series